

FAG**3202-BD-XL-TVH**

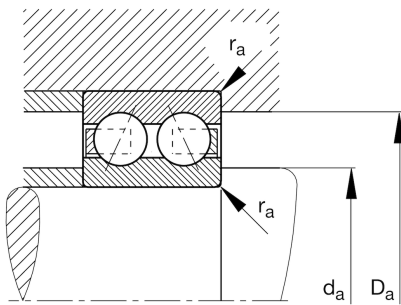
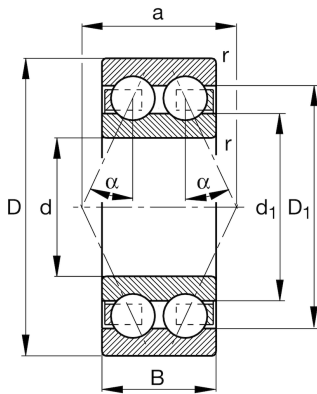
Angular contact ball bearing

Schaeffler ID:
0612066100000

Angular contact ball bearing 32..-BD-XL-TVH, double row, X-life, plastic cage

X-life

Technical information

**Main Dimensions & Performance Data**

d	15 mm	Bore diameter
D	35 mm	Outside diameter
B	15.9 mm	Width
C_r	12,600 N	Basic dynamic load rating, radial
C_{0r}	7,400 N	Basic static load rating, radial
C_{ur}	520 N	Fatigue load limit, radial
n_G	22,300 1/min	Limiting speed
n_{gr}	18,500 1/min	Reference speed
	0.063 kg	Weight

Mounting dimensions

$d_{a \min}$	19.2 mm	Minimum diameter shaft shoulder
$D_{a \max}$	30.8 mm	Maximum diameter of housing shoulder
$r_{a \max}$	0.6 mm	Maximum fillet radius

Dimensions

r_{\min}	0.6 mm	Minimum chamfer dimension
D_1	29.4 mm	Shoulder diameter outer ring
d_1	22.2 mm	Shoulder diameter inner ring
a	20.7 mm	Distance between the apexes of the pressure cones
α	30 °	Contact angle

Temperature range

T_{\min}	-30 °C	Operating temperature min.
T_{\max}	120 °C	Operating temperature max.